

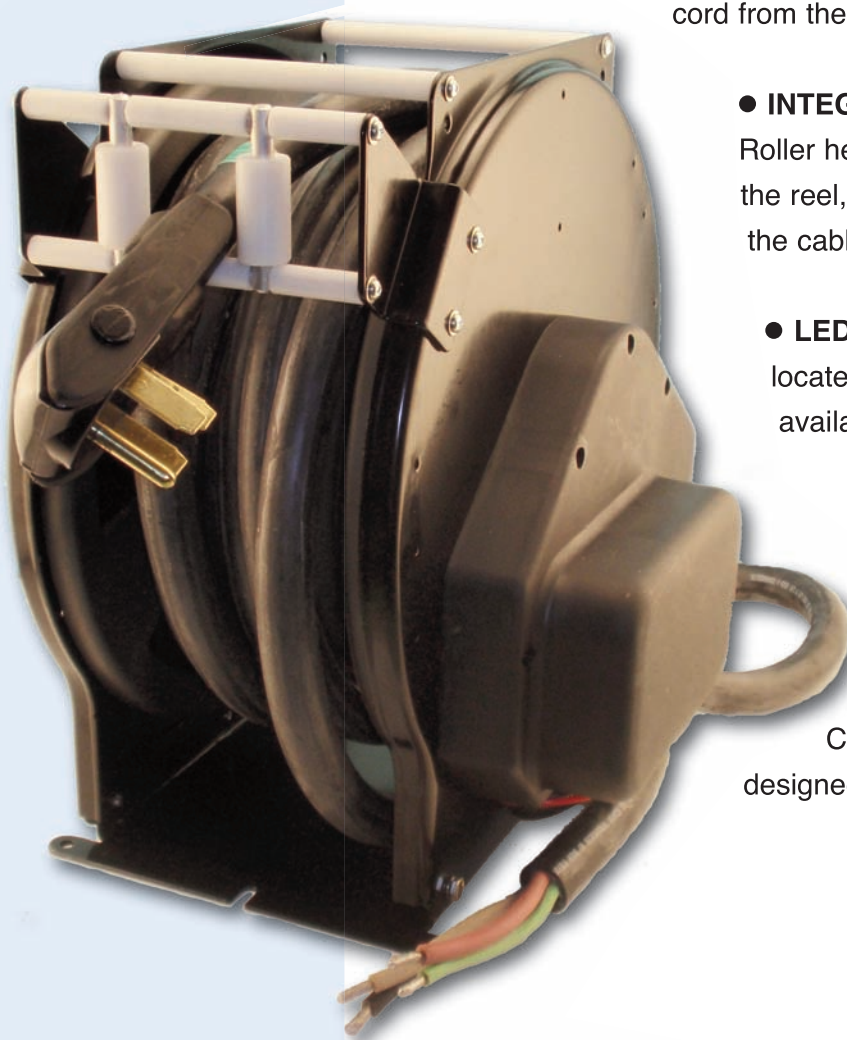


CABLEMASTER™

Model CRR-50

Retract and store your power cord with ease!

- **EASY TO USE** — Simply pull out the amount of power cord you need to make your connection. Push the button and the Cablemaster™ will quietly retract and store the power cord on the reel.
- **“ZERO EFFORT” PULL-OUT FORCE** — Our unique drive motor mechanism (patent pending) disengages itself when the cable is extended. No heavy pulling!
- **“EZ OUT” PLUG** — Our molded power plug comes with an integrated handle which allows you to easily disconnect the power cord from the campsite receptacle.

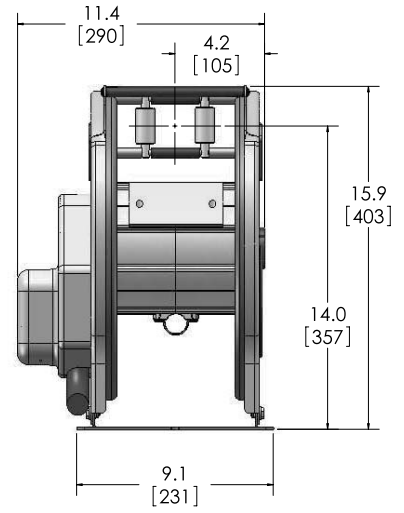
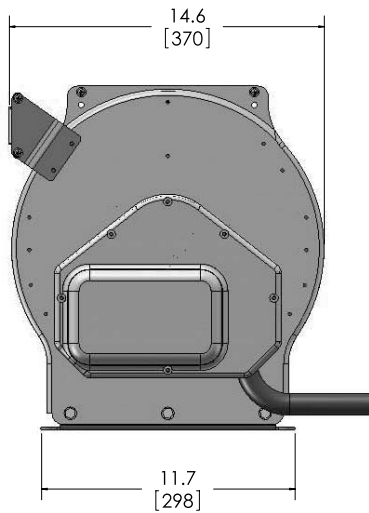


- **INTEGRATED GUIDE ROLLER** — The Guide Roller helps guide the cable as it is retracted on the reel, as well as providing a positive stop when the cable is fully retracted.
- **LED POWER INDICATOR** — Conveniently located on plug, let's you know that power is available to the cord.
- **COMPACT STORAGE** — Store 36-feet of 50 amp power cord in the smallest possible area.
- **ROBUST DESIGN** — The Cablemaster™ product line is specifically designed to last!

“Extend . . . Retract . . . Relax!”

CABLEMASTER™ — MODEL CRR-50 SPECIFICATIONS

VOLTAGE:12 VDC
OPERATING CURRENT:.....5-7 amps nominal
 15 amp peak load
CABLE SIZE:.....50amp
CABLE SPECIFICATION:.....6/3 & 8/1
 SOW 90°C rating
 includes molded plug with
 LED power indicator &
 molded plug with EZ-Out Lever
CABLE LENGTH:36 feet
WEIGHT:48 lbs.
 (including 36 ft. of
 6/4 power cable)
CERTIFICATIONS:.....tested to comply
 with UL standard 355
 tested for ignition protection



Part No.	Description	Cord Length
04380-12	Cablemaster™ — Model CRR50 • Includes control switch with 3 foot wire • Includes power connection “pigtail” to transfer switch (3 feet)	36 feet

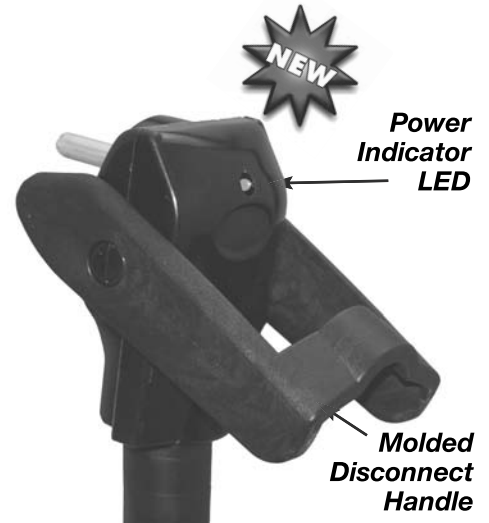
Each CRR-50 Cablemaster™ includes our unique EZ Out plug.



Pull out as much power cord as you need to reach the receptacle



When ready to depart, lift up on handle and pull plug from receptacle



OPTIONAL FEATURES / ACCESSORIES:

- **Pre-wired power cord for connection between cord reel and AC transfer switch** — this option provides a length of power cord that is pre-terminated to the cord reel, which can then be used for connecting to the A/C power transfer switch. A 3 foot connection wire is provided with the standard unit. This wire can be lengthened as necessary, on an optional basis.
- **Control switch wire length** — A 3 foot wire between the cord reel and control switch is provided as a standard feature. A longer wire can be provided as necessary, on an optional basis



For more information, contact our sales engineer or your local dealer today!

