



HOSEMASTER Model-S™ & Model-D™

Retract and store your water or shower hose with ease!



- **CONVENIENCE** — for hands-free storage of your shower hose.

- **EASY TO USE** — pull out as much hose as you need, when you are done the built in spring powered motor will retract and store the hose for you.

- **BUILT TO LAST** — made of corrosion resistant materials.

- **COMPACT DESIGN** — makes it ideal for use in most storage spaces.

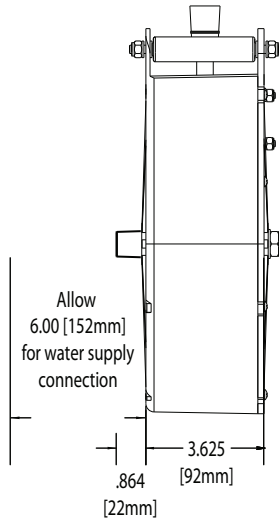
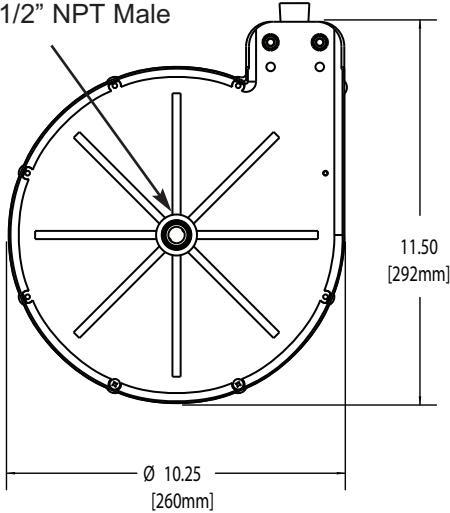
- **VARIOUS MOUNTING OPTIONS** — allows unit to be installed in a variety of positions



“Relax . . . we’re on board!”

HOSEMASTER Model-S™ and Model-D™ SPECIFICATIONS

Water Supply Connection
1/2" NPT Male



HOSE OUTLET CONNECTION:

.....1/2" NPT Female

NOTE: Adapter available to make hose fitting compatible with garden hose sprayer

HOSE TYPE:

.....0.350 inch ID,
White non-marking

PRESSURE RATING:

.....125psig @ 140° F

WEIGHT:

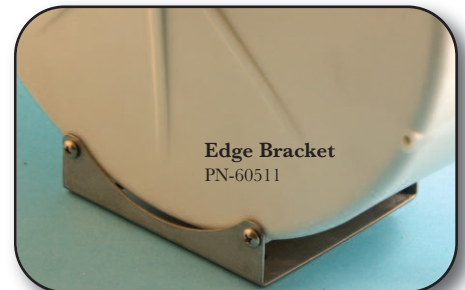
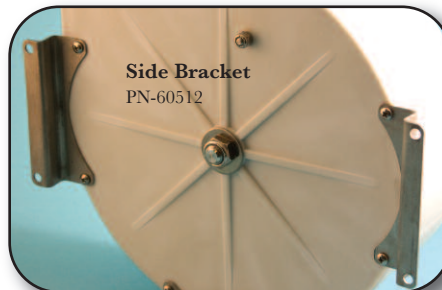
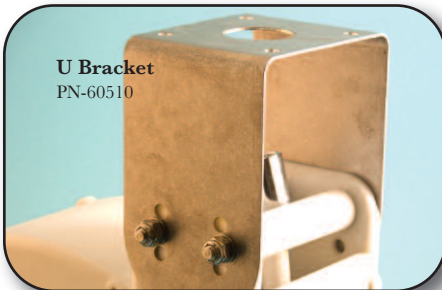
.....4 lbs.
(with 8 foot hose, not including sprayer)

| Part Number | Description | Hose |
|-------------|--|---------|
| 05550-08-X | Hosemaster-S, including mounting bracket / does not include sprayer (see NOTE 1) | 8 feet |
| 05550-16-X | Hosemaster-S, including mounting bracket / does not include sprayer (see NOTE 1) | 16 feet |
| 05551-16-X | Hosemaster-D, including mounting bracket & PN 99593-DW Spray nozzle | 16 feet |
| 05551-20-X | Hosemaster-D, including mounting bracket & PN 99593-DW Spray nozzle(available July 2008) | 18 feet |

Hosemaster units are equipped with one of 3 mounting bracket styles – (U) U-Bracket, (S) Side Bracket, (E) Edge Bracket. Change the "X" in part number to appropriate letter ("U" / "S" / "E") to indicate type of bracket to be supplied with Hosemaster. Example: PN 05550-08-E = Hosemaster S, 8 ft. hose, with Edge Mount Bracket

NOTE 1: With Hosemaster Model-S™, sprayer must be ordered separately. Order suitable sprayer from selection indicated below.

MOUNTING BRACKETS: (Hosemaster units are equipped with mounting brackets as specified by Part Number)



SPRAYERS AVAILABLE:



For more information contact your local dealer today!



sales@cmsquick.com