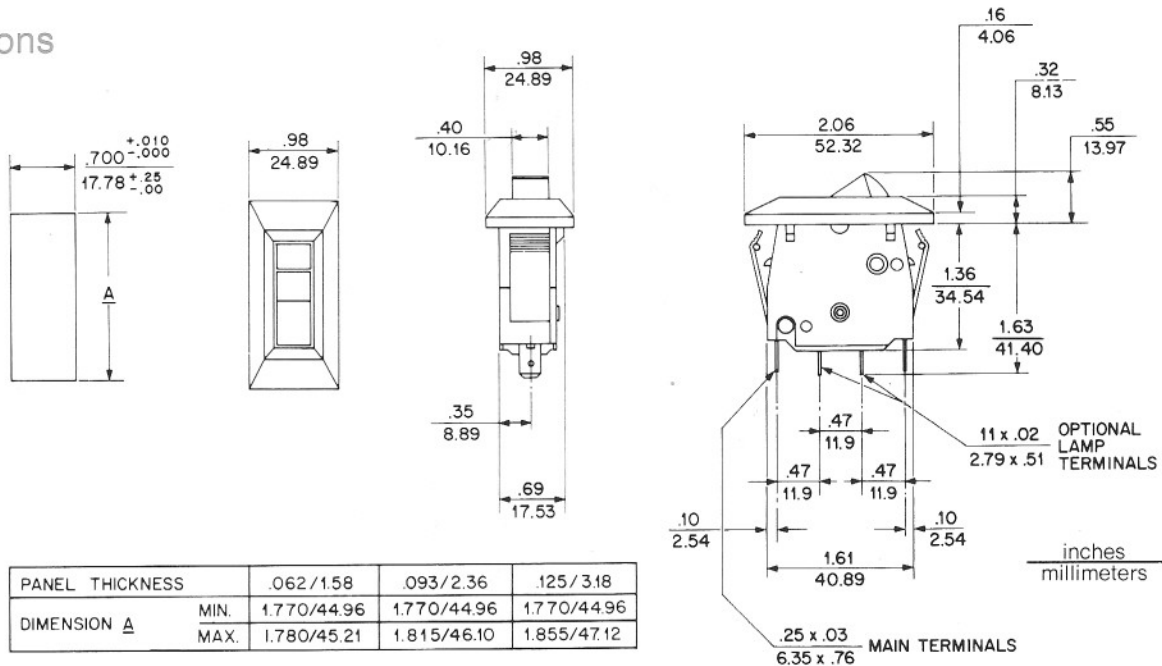


HEINEMANN TYPE TX CIRCUIT PROTECTORS

Dimensions



Specifications

Two-position rocker handle eliminates confusing reset procedures. After fault clearance, a touch on the handle restores service.

Trip-free (cannot be held "On" manually against a fault).

Snap-in panel mounting eliminates hardware.

Current ratings: 2, 3, 5, 7, 10A @ 250 Vac, 50/60 Hz;
2, 3, 5, 7, 10, 15, 20A @ 125 Vac, 50/60 Hz and 32 Vdc.

Tripping specifications: All units carry rated current continuously at ambient temperatures to 40°C. The must-trip point at 25°C is 150% of rated current. The must-trip point at 40°C is 140% of rated current. Current rating determination for temperatures other than 40°C can be obtained by multiplying the rated current by $\pm 0.8\%/^{\circ}\text{C}$ change from 10°C to 60°C, i.e.:

Actual capacity of 7A protector @ 50°C:
100% - (0.8 x 10) = 92%; 0.92 x 7 = 6.44A.

Actual capacity of 7A protector @ 30°C:
100% + (0.8 x 10) = 108%; 1.08 x 7 = 7.56A.

Interrupting capacity: 3500A @ rated ac voltages, 80% power factor; 1000A @ 32 Vdc, in accordance with UL Standard 1077 testing procedures.

Switching life: Exceeds 10,000 operations at 100% rated current and rated voltage, 80% power factor on ac circuits.

Resettable overload capacity: 15 times rated current.

Dielectric strength: Exceeds 1,500 Vac, 50/60 Hz.

Insulation resistance: 10⁸ ohms @ 500 Vdc (Mil-Std 202, Method 302).

Standard current ratings/internal resistance:*

Rating (amperes)	Resistance (ohms, $\pm 25\%$)
2	0.110
3	0.074
5	0.035
7	0.018
10	0.010
15	0.006
20	0.004

* Resistance values for reference only

Terminals: 1/4" quick-connect tabs, punched for soldering.

Lamp (optional): 5 Vdc, factory-installed, rated life 200,000 hours.

High-inrush current withstand capability: 35 times current rating for 8 milliseconds.

Weight: Approximately 1 ounce.

Approvals: UL-recognized as supplementary protector for use in electrical equipment under UL Standard 1077. Under this standard the TX protector is intended for use as an overcurrent protector within an appliance or other electrical equipment where branch-circuit overcurrent protection is already provided or not required. CSA-certified. Unlighted version designed to meet VDE requirements, including 8mm safety clearance specifications of VDE 0730.

For warranty information, see Bulletin 8101.