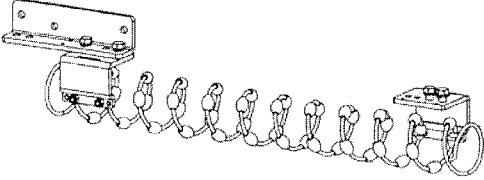




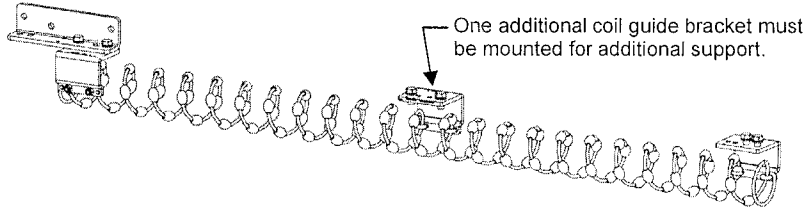
## Coil Guide Installation Instructions

The following instructions are provided to assist with installation of Glendinning Marine Products' coil guide assemblies. Coil guide assemblies can be used in a variety of ways between the Cablmaster unit and hawse pipe. This instruction will attempt to explain most installation scenarios.

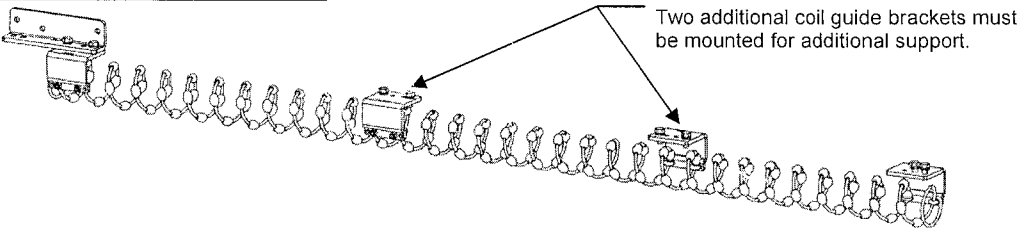
### Coil Guide Assembly 18" – 36"



### Coil Guide Assembly 37" – 59"

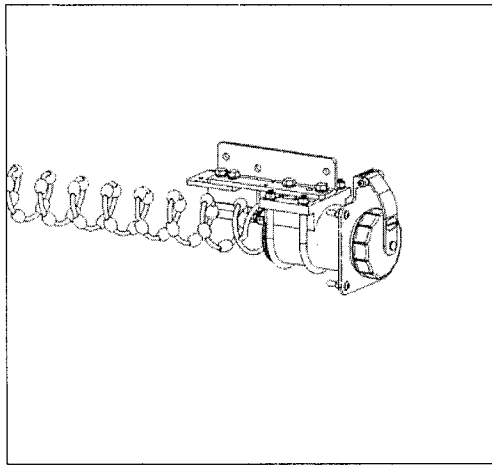
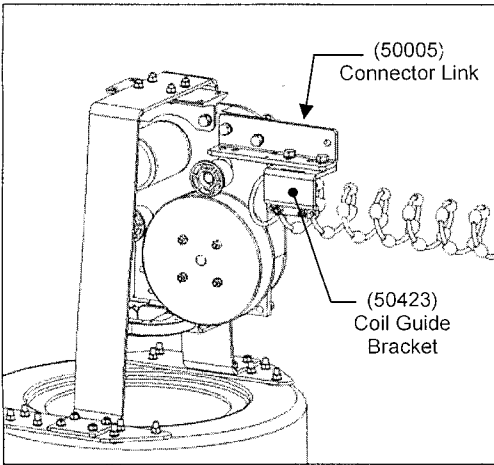


### Coil Guide Assembly 60" +

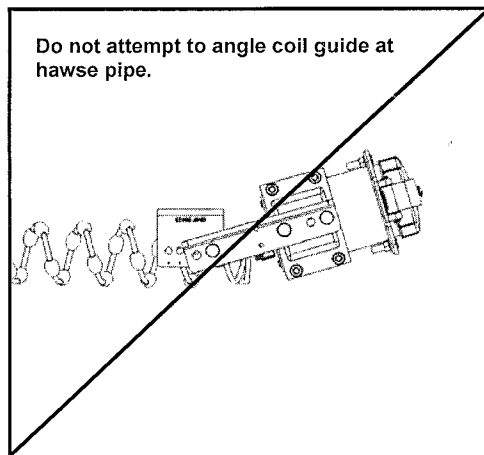
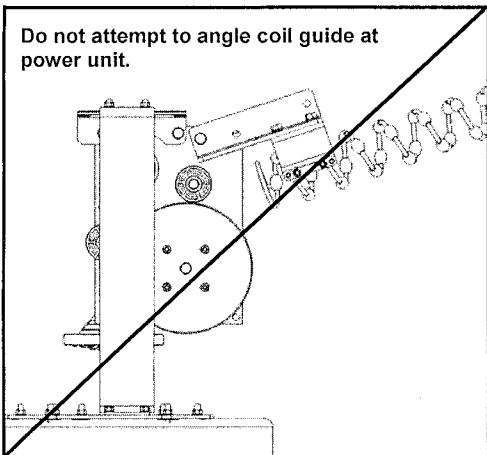


### Standard Installation

Coil guide assembly bolts directly to the power unit and the opposite end bolts to the connector link on the hawse pipe.



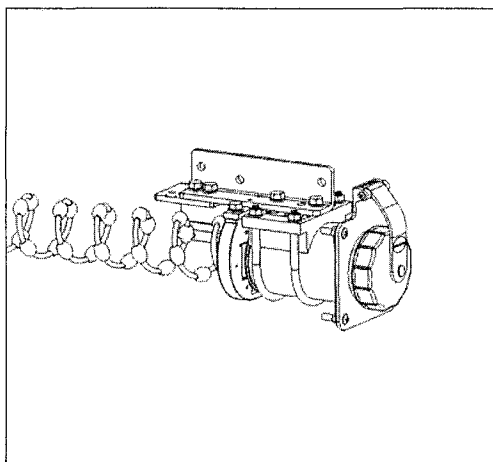
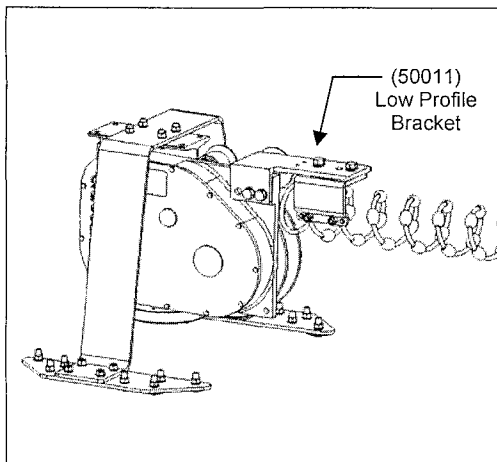
**RECOMMENDED:**  
Coil guide must be straight as the cable leaves the power unit and as it enters the hawse pipe. Bends can be made anywhere in-between as long as the brackets are attached in the intended manner as shown in the following images.



**NOT RECOMMENDED:**  
Brackets should not be modified/angled at the power unit or hawse pipe. Cable will bind if coil guide is off center at these locations.

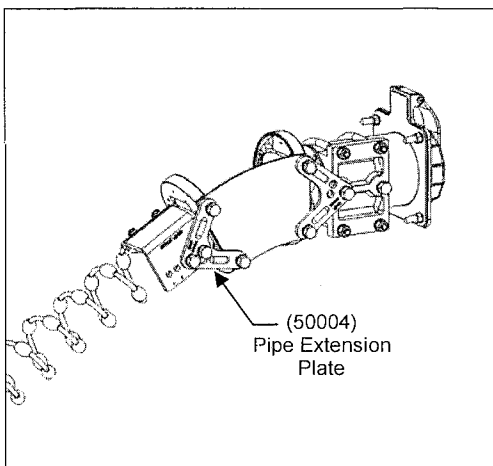
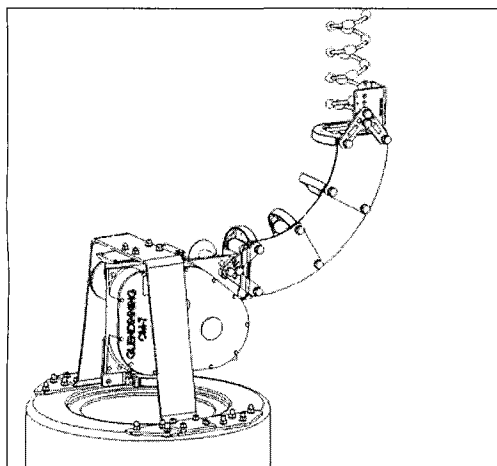
### Low Profile Installation

The connector link on the coil guide assembly must be removed and the coil guide bracket bolts to the low profile bracket provided. The coil guide bracket on the opposite end bolts to the connector link on the hawse pipe.



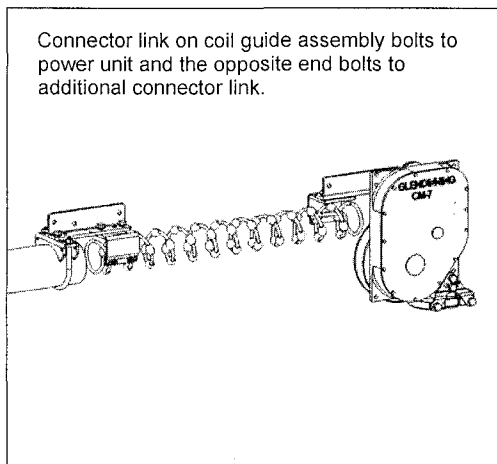
### Coil Guide Assembly used with Angling Assemblies

The connector link on the coil guide assembly must be removed and the coil guide bracket bolts to the pipe extension plates.



### Coil Guide Assembly used with PVC pipe

Connector link on coil guide assembly bolts to power unit and the opposite end bolts to additional connector link.



Connector link on coil guide assembly bolts to pipe clamp assembly and the opposite end bolts to additional connector link on hawse pipe.

