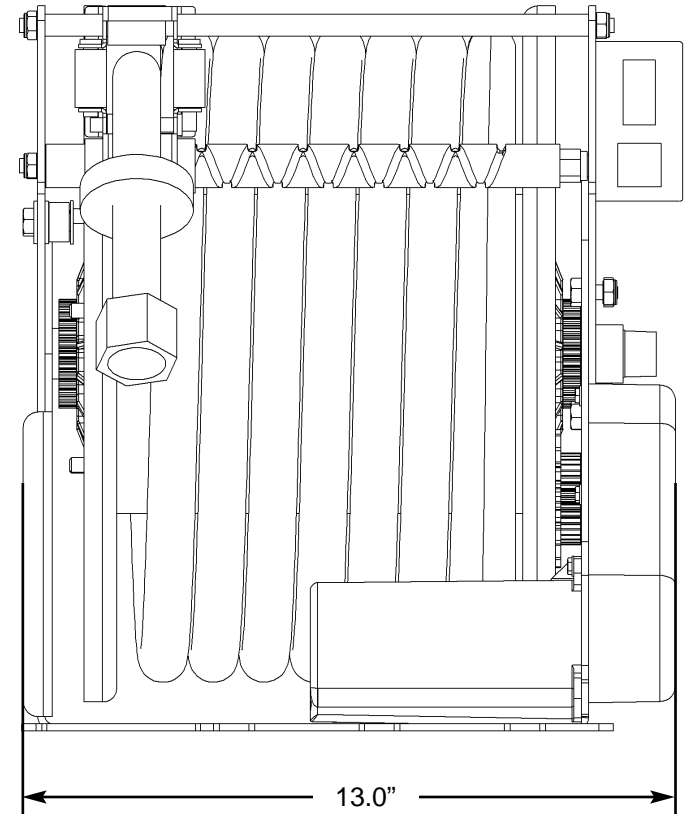
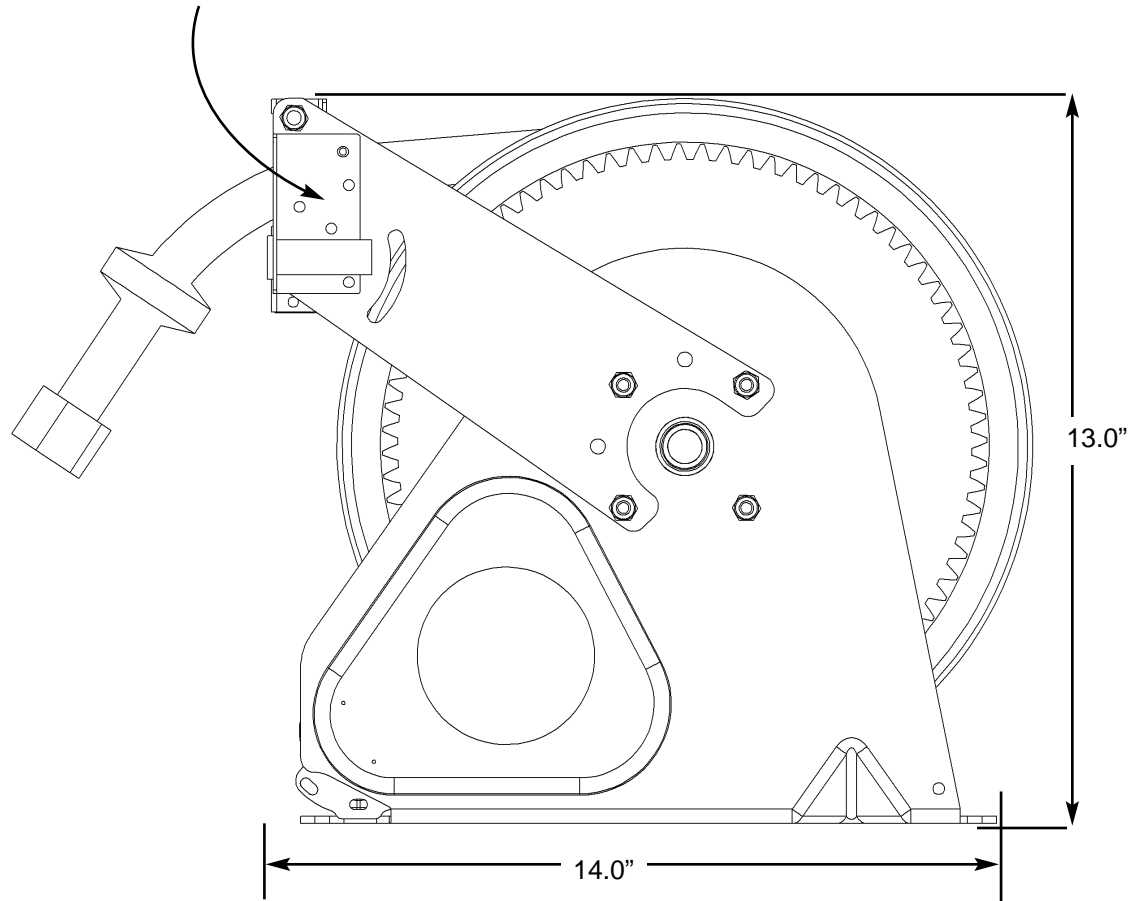


# MARINE HOSEMASTER DIMENSIONS

ADJUSTABLE HOSE GUIDE



(consider your connection hardware  
space requirements)



Custom Marine Serv  
Florence, SC 29506

Ph: 800-992-7922  
Fax: 800-992-7923

[www.cmsquick.com](http://www.cmsquick.com)

MHM DIM-08/02

*HoseMaster Features:*

- Holds up to 75' of 5/8" water hose, or 100' of 1/2" water hose
- Powered retraction just "push the switch!"
- Compact design allows for easy installation
- Adjustable hose guide
- Comes complete with 3' wire and switch assembly (incl. switch, breaker, and mounting bracket)

**SPECIFICATIONS:**

Voltage:	12 VDC
Amperage:	3 amps under load
Weight:	under 30 lbs.
Dimensions:	14.0"D x 13.0"W x 13.0"H
Capacity:	5/8" white drinking water safe hose
Length of hose:	Standard — 75' - 5/8" — 100' - 1/2"



# HoseMaster