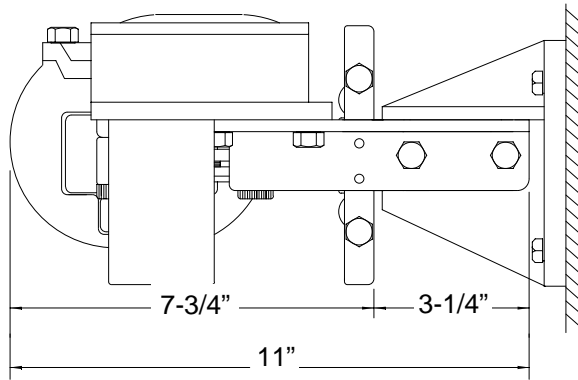
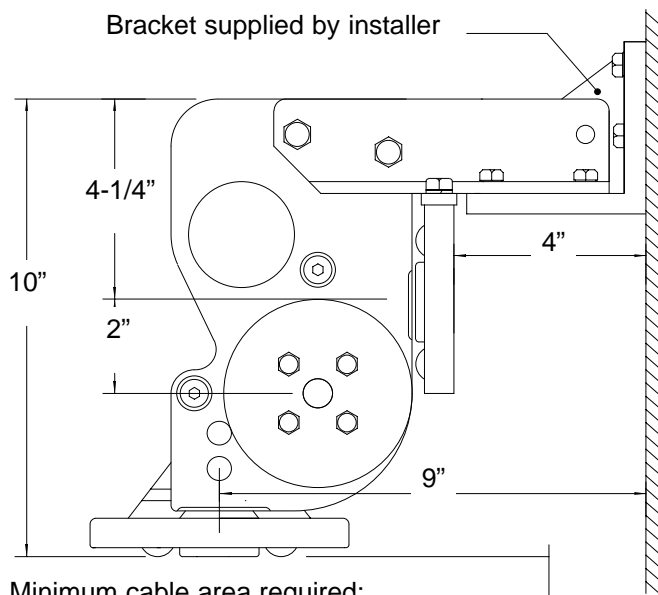


CM-4 RV-CABLEMASTER DIMENSIONS

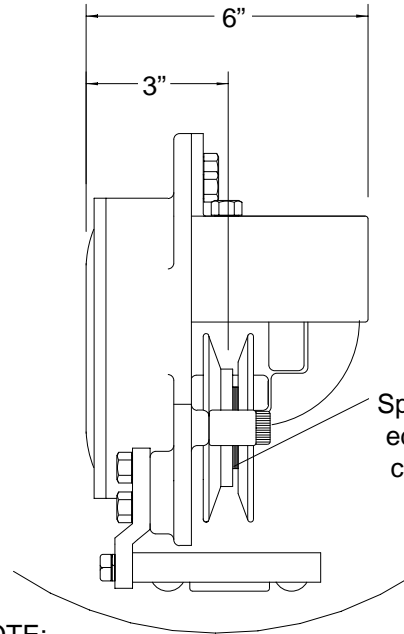
SPECIFICATIONS:	
Voltage:	12 VDC
Amperage:	4-5 amps
Weight:	9 lbs.
Capacity:	adj. from 5/8" to 3/4" dia. cable - 30 amp 110v cable
Length of cable:	determined by avail- able storage space



Bracket supplied by installer



Minimum cable area required:
Height — 15" for 40' of 30amp 110v cable
Diameter — 14" minimum diameter



NOTE:
Spacers provid-
ed for variable
cable diamter
adjustment

NOTE:
May swing
up to 45
degrees



GLENDINNING
MARINE PRODUCTS

Custom Marine Services
Dist of Marine Elec Parts
Ph: 800-992-7922
Fax: 800-992-7923
E-Mail: sales@cmsquick.com
Web: www.cmsquick.com

CM-4 RV-CABLEMASTER

PN 05011 CM-4, 12V DC (FOR 30 AMP CABLE)

The RV-Cablemaster comes complete with:

- Power Unit (motor, gearing, main pulley, tension rollers)
- Out-limit switch assembly
- In-limit switch assembly
- Power switch (3 pos. out-off-in)
- Nameplate
- 1 year limited warranty

Common installation accessories:

- Power cable
- Cable container
- 10amp breaker
- Access door
- Extra bracketing to attach Power Unit to vehicle

SPECIFICATIONS:

Voltage:	12 VDC
Amperage:	4-5 amps under load
Weight:	9 lbs.
Dimensions:	5-1/2" L x 6" W x 10" H (Power Unit)
Capacity:	adj. from 5/8" to 3/4" dia. cable - 30 amp 110v cable
Length of cable:	determined by avail- able storage space

