

GLENDINNING RADIO REMOTE CONTROL

Extend Your Reach with

CABLEMASTER

Accessories

How Many Hands Does it Take to Extend Your Power Cable?



The Glendinning Cablemaster remote control option will provide you with the ultimate in power cable handling convenience. From as far as 100 feet away, you can extend or retract the power cable by merely pushing a small button.

FEATURES:

- Simplifies “one-person” operation of the Cablemaster
- Normal operation of the Cablemaster via standard control switch is unaffected
- Easily retrofitted to existing installations
- One transmitter can handle up to 4 functions, including:
 - Single or Dual Cablemaster systems
- Suitable for 12 or 24V DC applications

PART NUMBERS	DESCRIPTION
04155 04155 XMTR 04153	Radio Remote Control — Two transmitters Replacement transmitter RF Noise filter kit (depending on specific installation, an RF noise filter may be required to extend the range of remote control and/or enhance system operation)

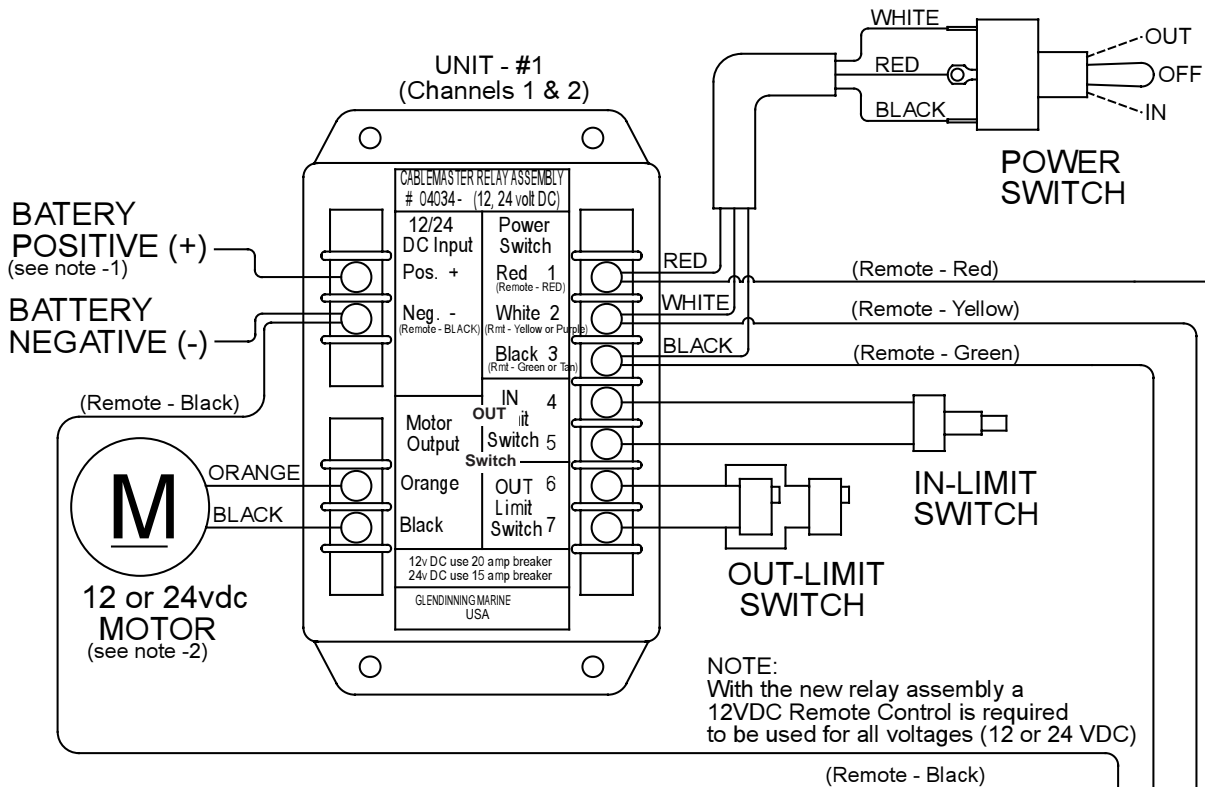
GLENDINNING

www.cmsquick.com

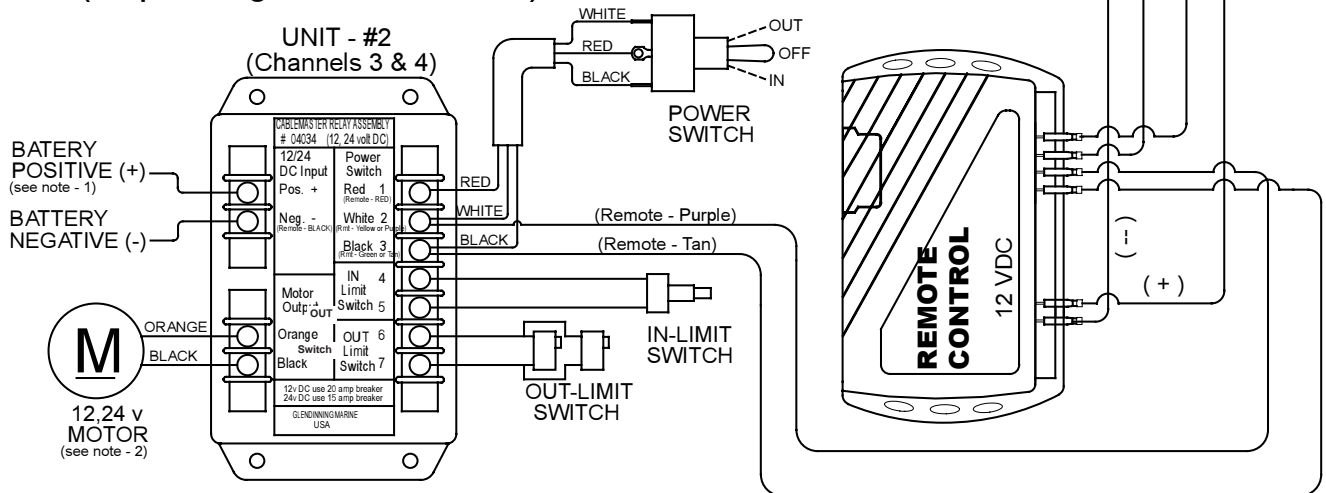
Custom Marine Services
Dist of Electrical Parts
Phone: (800) 992-7922
Fax: (800) 992-7923
CMF1- 09/04



REMOTE CONTROL WIRING DIAGRAM



(if operating 2 Cablemasters)



Note:

- 1.) Connect battery positive lead via fuse or circuit breaker. See Installation Manual for rating.

Circuit Breaker Specs.:

CM7 - 12 Volt 20 Amp Breaker 8-10 Running Amps
 CM7 - 24 Volt 15 Amp Breaker 5-6 Running Amps

- 2.) For low profile Cablemaster installation, the motor leads must be reversed for correct limit switch operation. See manual for more information.

